



The Handle of excellence with built-in security *you can hear* – Secustik[®]

Feeling safe at home is part of the quality of life, but

- **in Germany, a flat is broken into every four minutes.***
- **35% of break-ins occur through the window.**

Now you can do something about it, - in a simple and effective way!

* Source: German police crime statistics



More than 45,000 flats a year are broken into through the window. A popular way of breaking-in is by moving the window handle into the opening position from outside, whereupon the uninvited guest is able to make his way in! HOPPE puts a bar in his way: Secustik®

window handles offer an effective basic security at an attractive price.

A patented blocking mechanism in the Secustik® handle impedes tampering of the window handle from outside.



It's the clearly audible precision clicking, similar to that of a safe-lock, when the handle is turned, that tells you of the security function. The clicking, therefore, is the audible reminder of increased security, giving you the feeling of being increasingly safe at home.

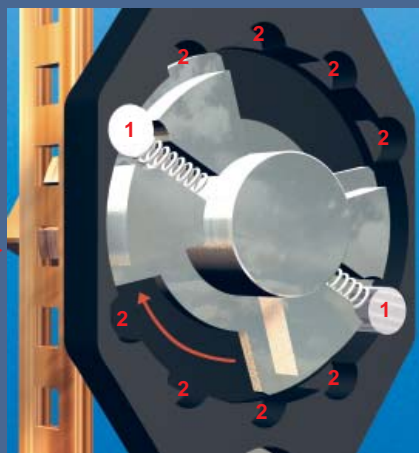
Find out more about how the Secustik® handle works and the typical precision sound it makes. Then you can choose one which suits your own personal interior design.

Secustik® - the Handle of excellence with built-in security you can hear.

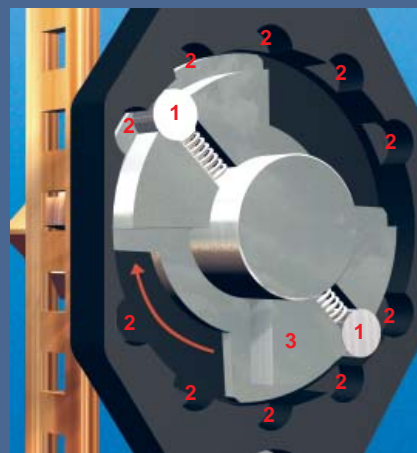
This is how the typical Secustik® click is made when opening and shutting the window.



Patented blocking mechanism of the Secustik® window handle



As the window handle is turned, the sprung security bolts (1) click as they go over special notches (2) in the housing, -indicating the built-in security.



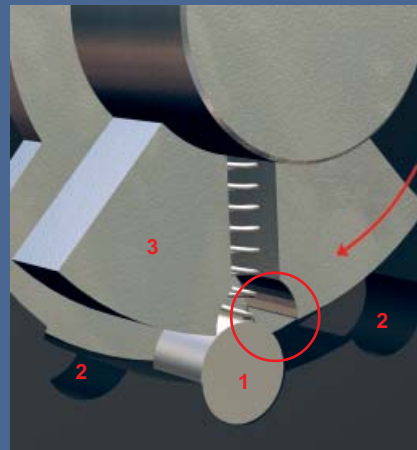
As the handle is turned, the security bolts (1) are carried by the coupling element (3) to the individual notches (2) producing the clicking sound.

You'll find high quality material, beautiful design and uncompromising function in all HOPPE handles. Secustik® handles feature, in addition, an integrated basic security for your protection. When the handle is turned to various positions, a blocking mechanism

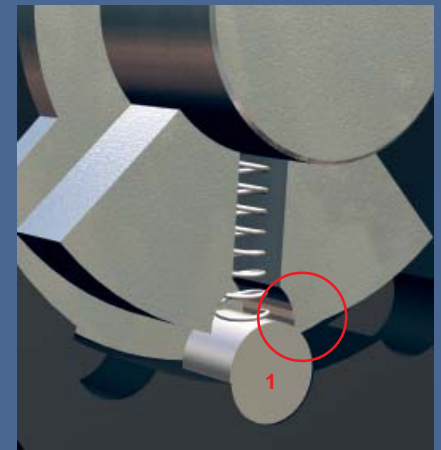
engages itself with a precise audible click, thereby impeding movement of the handle from outside.

HOPPE's Secustik® handles fulfil the requirements of the AhS RAL-RG607/13-guideline and unquestionably

This is how Secustik® window handles help prevent attempted break-ins.



As a break-in is attempted, the security bolts (1) are forced into special notches (2) in the housing by a second coupling element (3).



It's in this position that the security bolts (1) effectively prevent the turning of the window handle from outside. The window handle locks and foils the attempted break-in.

your personal expectations of what an advanced window handle should be.

With numerous designs and colours to choose from, there's plenty of scope to find the right handles to suit

your own interior decor. Secustik® handles feel firm and are easy to use. In short, you can feel the Handle of excellence in a variety of shapes and finishes whilst audibly being reassured that you are safe in your own home.

Secustik®: European Patent number EP 1121501



Luxembourg
099/US952
Aluminium steel



Amsterdam
0400/US956
Aluminium silver/
Stainless steel,
brushed



Brugge
0715/US945
Aluminium,
traffic white powder
coated



Atlanta
M0530/US956
Polished brass



Verona
E0800/US956
Stainless steel,
brushed



Amsterdam
E0400/US956
Stainless steel,
brushed

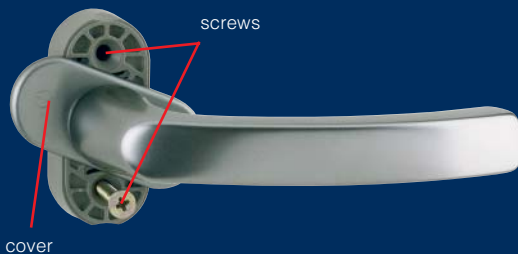


Bilbao
E0365/US956
Stainless steel,
brushed

Replacing your window handles

It's easy to replace your present window handles with new Secustik® window handles.

Turn the old handle to the opening position (horizontal). Lift up the cover slightly and turn it to the side, loosen the screw and remove the old handle. Now you can fit the new handle.



To reduce the risk of break-in even more, the whole window element should have protective features such as security glass.

Minimum requirements:

- from Microsoft® Windows® 95
- CD-ROM drive
- Microsoft® Windows Media® Player
(also playable on a DVD Player)

Appointed Distributor:

HOPPE AG · Via Friedrich Hoppe · CH-7537 Müstair
 +41 (0) 81 851 66 00 ·  <http://www.hoppe.com>
 +41 (0) 81 851 66 66 ·  info.ch@hoppe.com