

**Adjustable hinge Easy 3D
for timber entrance doors**



The new SFS intec Easy 3D hinge for timber entrance doors has been designed to satisfy the technical and aesthetic demands of the customer.

This hinge has been tested with loads of up to 150 kg in application.

Using a simple hex-bit key, the Easy 3D hinge is easily adjustable when the door is in the closed position.

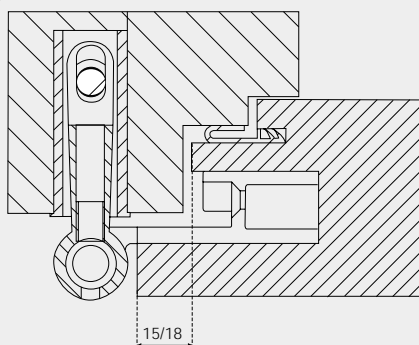
Self-lubricating bushes guarantee a smooth squeak-free operation without the need for regular servicing.

Thanks to its symmetry, the Easy 3D hinge can be fitted to left or right handed gasketed or ungasketed doors - four different applications with one single hinge!

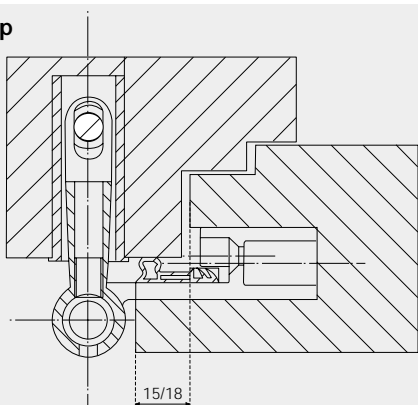
By choosing a hinge coloured to match your door, you can increase the value of your product, and deliver a great result.



Sash with overlap 15/18 mm without gasketed



Sash with overlap 15/18 mm with gasketed



Milling jig for sash		Code
		995793 Milling jig + device
		995796 device
		995798 stop for bar
		298442 bar
Milling jig for frame		Code
		995794 Milling jig + device + drilling jig
		995797 device
		995800 drilling jig
		995798 stop for bar
		298442 bar

Code	Finishing	Packaging
994528	Ral 9016 White	3 pieces
994529	Ral 8017 Brown	3 pieces
994533	brassed	3 pieces
994531	matt-chromated	3 pieces
994534	matt-nickel	3 pieces